



REMCO MEASUREMENT SHEET Fax Cover Sheet

Date: _____

To: REMCO DSC Fax: 855-839-2924

From: _____ Fax: _____ PO: _____

Name / Company: _____

Shipping Address: _____

City: _____ State: _____ Zip: _____

Person Ordered By: _____

Email: _____ Phone: _____

Directions:

It's important to measure this vehicle UNLOADED, on level ground or on a drive on lift.

- 1) Complete the vehicle information section below.
- 2) Circle the "SKU #" (on page 2) that matches your drive shaft assembly. (USE INK PEN)
- 3) In circled "SKU" box, enter the measurements (in inches) on the provided lines.
- 4) After filling in the appropriate "SKU" box go to the box titled "IMPORTANT" and enter u-joint cap measurements.
- 5) Check "Remco Notes" box for your application.
- 6) Fax to REMCO DSC at 855-839-2924 or email to sales@remcodsc.com

Year: _____ Make: _____ Model: _____

Engine: _____ V.I.N. (Vehicle Identification Number): _____

1) Long Bed Short Bed Car SUV

2) Regular Cab 2 Door Extended Cab 4 Door Crew Cab

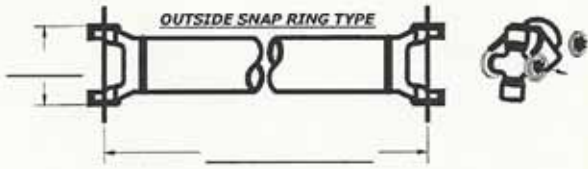
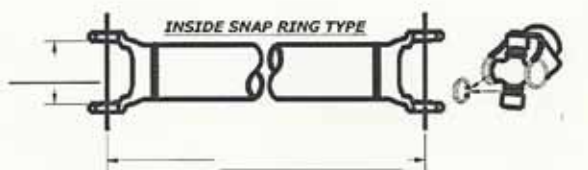
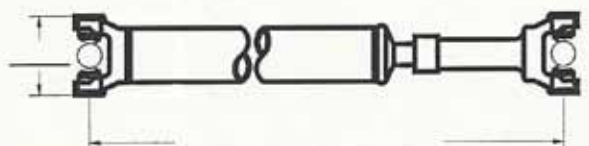
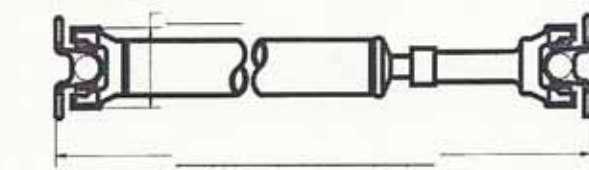
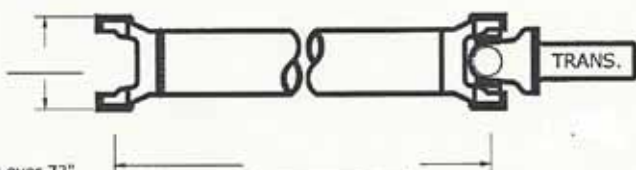

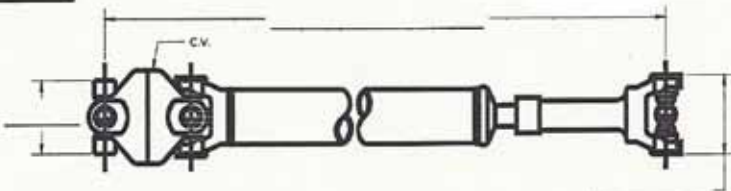
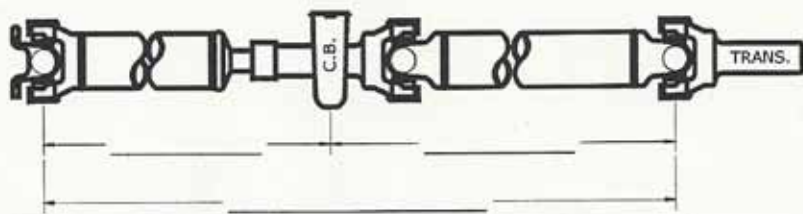
3) Automatic Manual

4) 2WD 4WD

REMCO DRIVE SHAFT COUPLING MEASUREMENT SHEET

COMPANY PLACING THE ORDER: _____

DATE: _____

<p>SKU-1 \$850.00 RETAIL USE IF D/S IS 60" OR LESS</p> <div style="text-align: center;">  <p><i>OUTSIDE SNAP RING TYPE</i></p> </div> <div style="text-align: center;">  <p><i>INSIDE SNAP RING TYPE</i></p> </div>	<p>SKU-2 \$1000.00 RETAIL</p> <div style="text-align: center;">  </div> <hr/> <p>SKU-3 \$1250.00 RETAIL</p> <div style="text-align: center;">  </div>
<p>SKU-4 \$1250.00 RETAIL USE IF D/S IS 60" OR LONGER</p> <div style="text-align: center;">  </div> <p>NOTE: F-150 Drive shafts over 72" are priced at \$1,500.00 (SKU-6)</p> <p style="text-align: center;">INCLUDES FLANGE, SLIP YOKE AND BALANCE</p>	<p style="text-align: center;">*IMPORTANT* EACH SKU # MUST HAVE U-JOINT CAP MEASUREMENT.</p> <div style="text-align: center;">  </div>
<p>SKU-5 \$1250.00 RETAIL</p> <div style="text-align: center;">  </div>	<p style="text-align: center;">REMCO NOTES</p> <p>(A) ALL TOYOTA'S 2005 AND OLDER: FRONT AND REAR FLANGE BOLT PATTERNS (2 3/4" OR 2 7/8") MUST BE MEASURED</p> <p>(B) VEHICLES WITH A CARRIER BEARING: MEASURE REAR DRIVE SHAFT USING SKU-1 THROUGH SKU-3 EXCEPT 2WD F-150 THEN USE (SKU-6)</p> <p>(C) F-150 2WD THAT ARE MEASURED USING SKU-4 ARE PRICED AT SKU-6. THE REPLACEMENT DRIVE SHAFT WILL BE FURNISHED AS A SKU-6.</p>
<p>SKU-6 \$1600.00 RETAIL (2WD F-150'S ONLY. STYLE USED ON F-150'S 72" AND LONGER)</p> <div style="text-align: center;">  </div>	

Revision and pricing as of 1 NOV 11

Remco DSC Office

Phone: 1-855-44REMCO

4060 Dixon Street

Fax: 1-855-839-2924

Des Moines, IA 50313

www.remcodsc.com